



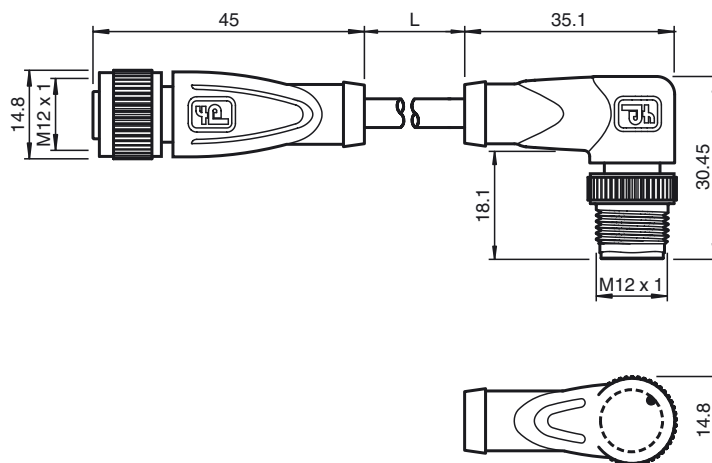
Model Number

V15-G-2M-PUR-V15-W
 Connecting cable, M12 to M12, PUR cable 5-pin

Features

- Knurled nut suitable for tool assembly
- Immunity to vibration, with mechanical latching
- Gold-plated and machined contacts
- Degree of protection IP67 / IP68 / IP69K
- Halogen-free

Dimensions



Technical data

General specifications		
Number of pins		5
Electrical specifications		
Operating voltage	U _B	max. 60 V AC/DC
Operating current	I _B	max. 4 A
Contact resistance		< 10 mΩ
Ambient conditions		
Ambient temperature		40 ... 90 °C (104 ... 194 °F) cable, fixed: -40 ... 80 °C (-40 ... 176 °F) cable, flexing: -30 ... 80 °C (-22 ... 176 °F)
Pollution degree		3
Mechanical specifications		
Contact elements		spring-loaded contact socket
Pin diameter		1 mm
Degree of protection		IP67 / IP68 / IP69k
Material		
Contacts		CuSn / Au
Contact surface		Au
Body		TPU, black
Cable		PUR
Slotted nut		Diecast zinc
Sleeve connector		Diecast zinc
Core insulation		PP
Cable		
Cable		fine-strand, flexible
Sheath diameter		Ø 4.8 mm
Bending radius		> 10 x cable diameter, moving
Color		grey
Cores		5 x 0.34 mm ²
Conductor construction		19 x 0.15 mm Ø
Length	L	2 m
Flammability		
Contact carrier		94 HB
Housing		94 V-2
Compliance with standards and directives		
Standard conformity		
Degree of protection		EN 60529:2000
Standards		IEC 61076-2-101:2008
Flammability		Grip: UL 94

Electrical connection



Release date: 2016-04-05 15:08 Date of issue: 2016-04-05 240778-100001_eng.xml

Refer to "General Notes Relating to Pepperl+Fuchs Product Information".